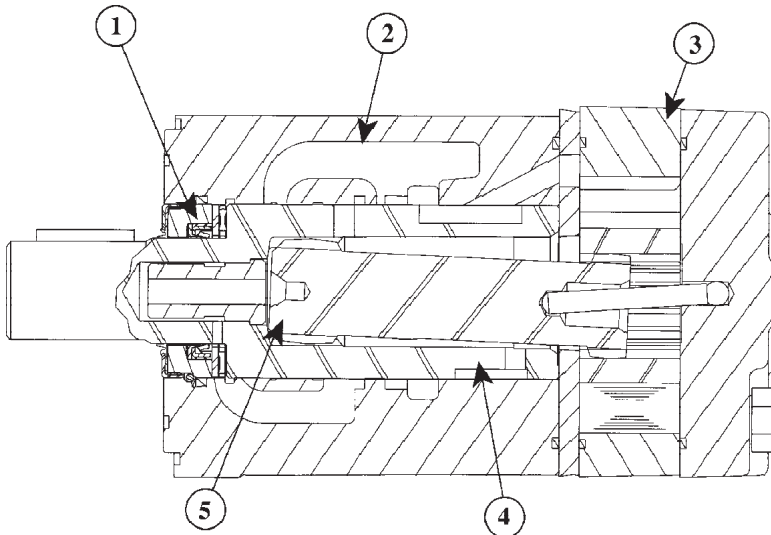


RS Series

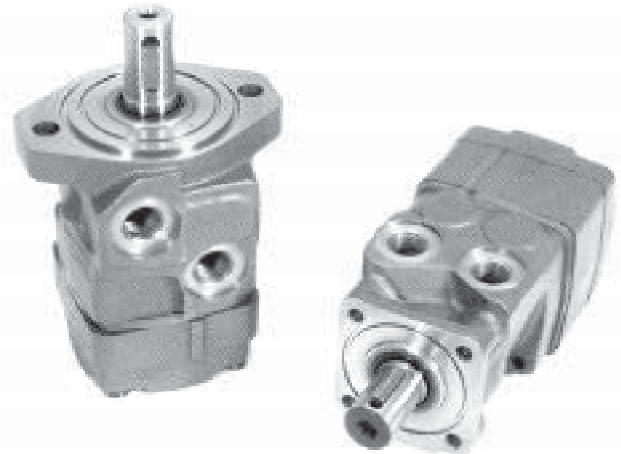


Features

- ❶ **High Pressure Viton® Shaft Seal** offers superior seal life and performance and eliminates the need for case drain.
- ❷ **Pressure Fed Bearing** surface receive positive flow of clean, cool oil.
- ❸ **Roller Stator® Motor Design** increases efficiency and life by using roller contact versus solid, sliding contact design.
- ❹ **Match Ground Shaft** is matched to housing bore to maintain highest volumetric efficiencies.
- ❺ **Heavy-Duty Drive Link** receives full flow lubrication to provide long life.

Low Cost, Not Low Tech

The RS Series motors are the most economical model in the White Hydraulics product line, but are not low-tech. Unlike competitive products using power robbing, two-piece rotor set designs with sliding contact points, RS Series motors utilize the patented Roller Stator® design. Seven precision rollers for the contact points reduce friction, providing more power and longer life for your application. Each output shaft is custom ground to maintain exact tolerances between the housing and shaft, producing high volumetric efficiencies. Industry standard mounting flanges and output shafts allow the RS Series motors to interchange with competitive designs.



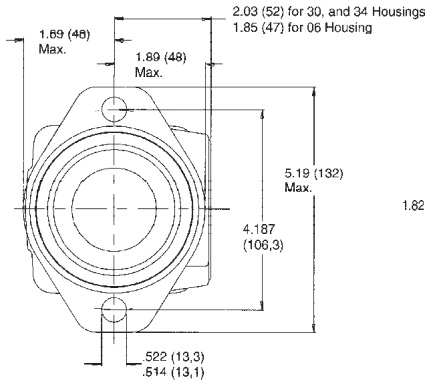
Specifications

Code	Displacement in ³ /rev (cm ³ /rev)	Max Speed RPM		Max Flow GPM (LPM)		Max Torque lb-in (Nm)			Pressure ΔPSI(ΔBar)		
		Cont.	Inter.	Cont.	Inter.	Cont.	Inter.	*Stall	Cont.	Inter.	Peak
03	3.2 (52)	400	490	6 (23)	10 (38)	730 (82)	840 (95)	580 (650)	1750 (121)	2000 (138)	2250 (155)
04	4.6 (76)	460	540	10 (38)	12 (45)	1070 (121)	1230 (138)	875 (100)	1750 (121)	2000 (138)	2250 (155)
05	5.4 (89)	420	580	10 (38)	14 (53)	1300 (150)	1480 (167)	1045 (118)	1750 (121)	2000 (138)	2250 (155)
99	6.3 (103)	510	570	14 (53)	16 (61)	1500 (169)	1725 (194)	1170 (132)	1750 (121)	2000 (138)	2250 (155)
06	6.8 (111)	460	600	14 (53)	18 (68)	1630 (184)	1900 (214)	1320 (149)	1750 (121)	2000 (138)	2250 (155)
08	7.7 (127)	410	530	14 (53)	18 (68)	1600 (180)	1850 (208)	1330 (151)	1500 (103)	1750 (121)	2250 (155)
10	10.0 (164)	370	460	16 (61)	20 (76)	1970 (222)	2350 (265)	1770 (200)	1500 (103)	1750 (121)	2250 (155)
12	12.5 (205)	300	370	16 (61)	20 (76)	2640 (297)	3050 (343)	2295 (259)	1500 (103)	1750 (121)	2250 (155)
14	15.5 (254)	300	360	20 (76)	24 (91)	2540 (268)	3040 (342)	2280 (258)	1250 (86)	1500 (103)	1750 (121)
18	17.9 (293)	300	310	20 (76)	24 (91)	2460 (277)	3100 (349)	2110 (238)	1000 (69)	1250 (86)	1500 (103)
24	24.9 (409)	190	220	20 (76)	24 (91)	3350 (377)	4100 (462)	3200 (362)	1000 (69)	1250 (86)	1500 (103)

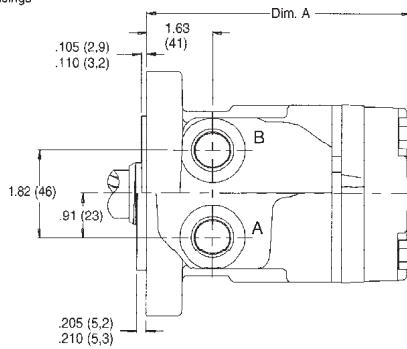
* Stall torque measured at 1 RPM at continuous pressure per SAE J746b.

Dimensions

SAE "A" Flange



03	1/2" NPT Aligned Ports
20	1/2" BSP.F Aligned Ports
40	1/2" BSP.F Aligned Ports
04	7/8-14 O-Ring Aligned Ports



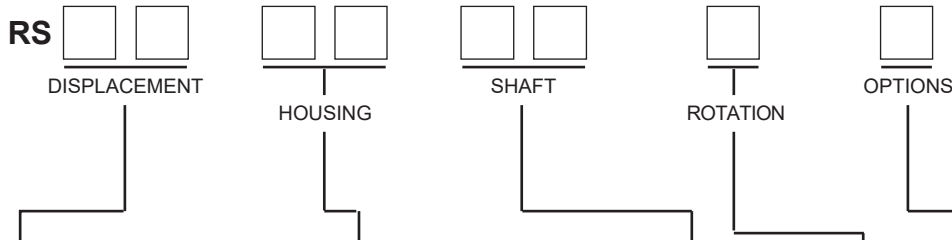
SAE "A" Flange

Disp. Code	Dim. A in (mm)	Weight lbs (kg)
03	5.29 (134)	16.1 (7,3)
04	5.44 (138)	16.5 (7,5)
05	5.51 (140)	16.8 (7,6)
06	5.65 (144)	17.2 (7,8)
99	5.75 (146)	14.4 (6,5)
08	5.75 (146)	17.7 (8,0)
10	5.97 (152)	18.2 (8,3)
12	6.22 (158)	18.8 (8,5)
14	6.53 (166)	19.8 (9,0)
18	6.76 (172)	20.5 (9,3)
24	7.47 (190)	22.7 (10,3)

RS motor weights vary \pm 1 lb. (.45 kg) depending upon exact motor configuration.

* For Speed Sensor motors add .82 (21) to Dim. A.

***Ordering Information**

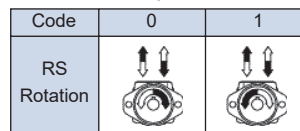


Code	Displacements
03	3.2 in ³ /r (52 cm ³ /r)
04	4.6 in ³ /r (76 cm ³ /r)
05	5.4 in ³ /r (89 cm ³ /r)
99	6.3 in ³ /r (103 cm ³ /r)
06	6.8 in ³ /r (111 cm ³ /r)
08	7.7 in ³ /r (127 cm ³ /r)
10	10 in ³ /r (164 cm ³ /r)
12	12.5 in ³ /r (205 cm ³ /r)
14	15.5 in ³ /r (254 cm ³ /r)
18	17.9 in ³ /r (293 cm ³ /r)
24	24.9 in ³ /r (409 cm ³ /r)

Code	Housings
01	4-Hole 1/2" NPT Aligned Ports
02	4-Hole 7/8" O-ring Aligned Ports
03	2-Hole 1/2" NPT Aligned Ports
04	2-Hole 7/8" Aligned Ports
05	4-Hole Manifold Ports
07	2-Hole 1/2" BSP.F Offset Ports
09	2-Hole 1/2" BSP.F Offset Manifold
20	2-Hole 1/2" BSP.F Aligned Ports w/.200 Pilot
06	2-Hole Manifold Ports
27	2-Hole 1/2" BSP.F Offset Ports w/.200 Pilot
29	2-Hole 1/2" BSP.F Offset Manifold Ports w/.200 Pilot
30	2-Hole 7/8-14 O-ring With Valve Cavity
32	4-Hole W/Valve Cavity
40	2 Hole 1/2" BSP.F Aligned w/.200 Pilot
46	2-Hole Manifold Ports w/.200 Ports

Code	Shafts
00	1" Pinhole
01	1" Straight
06	6-B Spline (1" Diameter)
08	25mm Straight
09	1" Tapered

Code	Sensor Shafts
21	1" Straight Ext.
28	25mm Ext.



Code	Options
0	No Options
X	Solid Nut
P	Pack Nut
*R1	1000 PSI (69 Bar) Relief Valve Installed
*R2	2000 PSI (138 Bar) Relief Valve Installed
**Z	Speed Sensor
**ZI	Speed Sensor With Weatherpack Connector

Pac Nut is the registered trademark of ITW-Anchor Stampings.

*Available with 30 and 32 housings

**Available with 01,02,03,04,05,09 and 32 housings